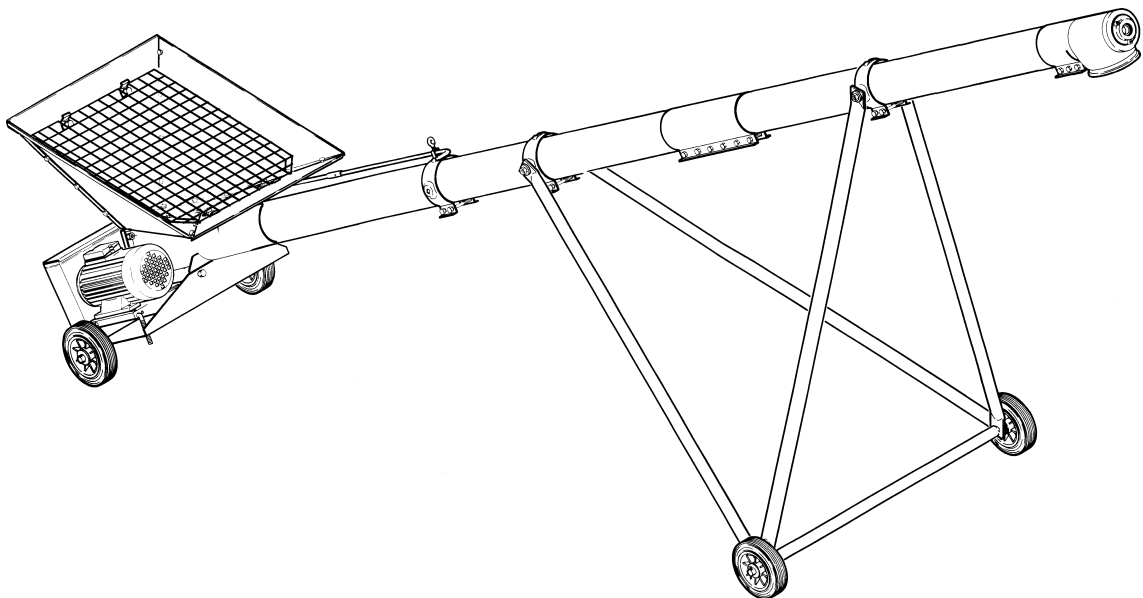


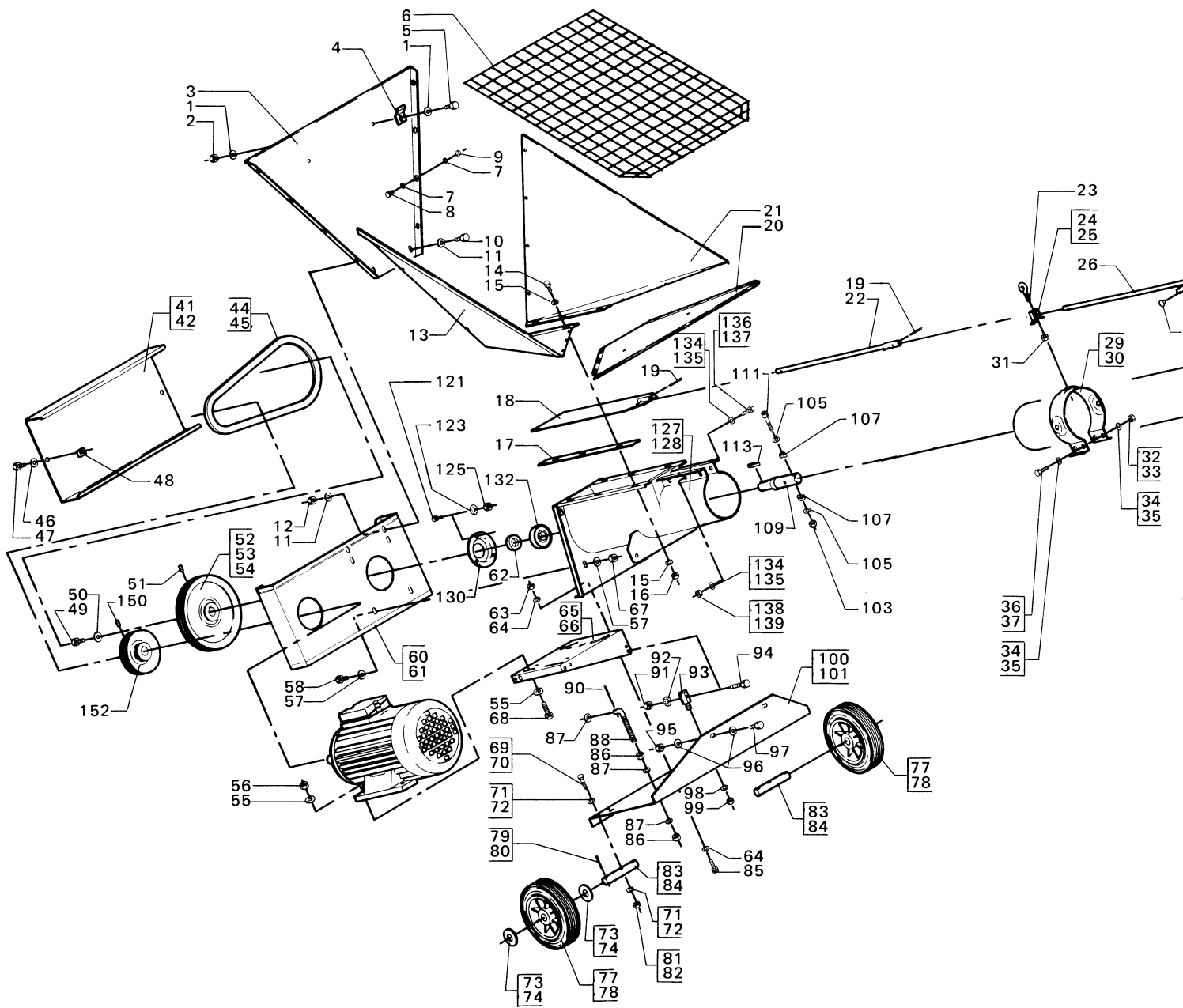
***DGC 127 & 152***



**Reservedelsliste  
Spare parts list  
Ersatzteilliste  
Onderdelenlijst  
Liste de pièce de rechange  
Lista dei pezzi di ricambio**

Fig.	Pack	Serial no.	Part no.	Pieces	Notes
1	A		100 331 004	8	Flat washer M6
2	A		100 315 028	4	Nut M6
3	A		171 021 422	1	Front plate for inlet hopper
4	A		171 021 378	4	Attachment for wire grid
5	A		100 323 041	4	Set screw M6 x 16 mm
6	A		171 021 377	1	Wire grid
7	A		100 331 004	28	Flat washer M6
8	A		100 308 018	14	Set screw M6 x 12 mm
9	A		100 315 028	14	Nut M6
10	A		100 323 041	2	Set screw M6 x 16 mm
11	A		100 331 004	4	Flat washer M6
12	A		100 315 028	2	Nut M6
13	A		171 021 418	1	Side plate for inlet hopper
14	A		100 323 041	6	Set screw M6 x 16 mm
15	A		100 331 004	12	Flat washer M6
16	A		100 315 028	6	Nut M6
17	A		171 021 420	2	Guide plate for inlet shutter
18	A		171 021 386	1	Inlet shutter
19	A		100 333 009	2	Split pin $\varnothing 4 \times 36$ mm
20	A		171 021 419	1	Back plate for inlet hopper
21	A		171 021 423	1	Side plate for inlet hopper
22	A		171 002 352	1	Extension for control rod
23	A		100 323 301	1	Ring bolt M8 x 30 mm
24	A		171 002 349	1	Attachment for control rod for DGC 127
25	A		171 002 159	1	Attachment for control rod for DGC 152
26	A		171 002 346	1	Control rod
27	A		100 414 041	1	Plastic plug
29	A		171 021 398	1	Clamp for control rod for DGC 127
30	A		171 021 399	1	Clamp for control rod for DGC 152
31	A		100 315 012	1	Nut M8
32	A		100 315 012	2	Nut M8 for DGC 127
33	A		100 315 013	2	Nut M10 for DGC 152
34	A		100 331 005	4	Flat washer M8 for DGC 127
35	A		100 331 006	4	Flat washer M10 for DGC 152
36	A		100 308 032	2	Set screw M8 x 35 mm for DGC 127
37	A		100 308 037	2	Set screw M10 x 40 mm for DGC 152
41	B		171 404 307	1	Outside belt guard for DGC 127
42	B		171 405 307	1	Outside belt guard for DGC 152
44	B		100 403 090	2	V-belt SPZ 950 for DGC 127
45	B		100 403 108	2	V-belt SPZ 1060 for DGC 152
46	B		100 331 005	2	Flat washer M8
47	B		100 306 014	2	Set screw M8 x 15 mm
48	B		100 323 303	2	Clips nut M8
49	B		100 306 015	1	Set screw M8 x 20 mm
50	B		100 331 076	1	Flat washer $\varnothing 30/8$ mm
51	B		100 322 023	2	Stop screw M8
52	B		170 030 320	1	V-belt pulley SPZ 140 with 2 grooves
53	B		170 030 354	1	V-belt pulley SPZ 180 with 2 grooves
54	B		170 030 364	1	V-belt pulley SPZ 200 with 2 grooves
55	B		100 331 006	8	Flat washer M10
56	B		100 315 013	4	Nut M10
57	B		100 331 004	8	Flat washer M6
58	B		100 308 018	4	Set screw M6 x 12 mm
60	B		171 404 309	1	Inside belt guard for DGC 127
61	B		171 405 308	1	Inside belt guard for DGC 152
62	B		171 003 416	1	Spacer
63	B		100 315 013	2	Nut M10
64	B		100 331 006	4	Flat washer M10
65	B		171 001 301	1	Motor mounting plate for DGC 127
66	B		171 004 301	1	Motor mounting plate for DGC 152
67	B		100 315 028	4	Nut M6
68	B		100 306 030	4	Set screw M10 x 30 mm
69	B		100 308 026	2	Set screw M6 x 30 mm for DGC 127
70	B		100 308 032	2	Set screw M8 x 35 mm for DGC 152
71	B		100 331 004	8	Flat washer M6 for DGC 127
72	B		100 331 005	8	Flat washer M8 for DGC 152
73	B		100 331 008	4	Flat washer M16 for DGC 127
74	B		100 331 009	4	Flat washer M20 for DGC 152
77	B		171 021 415	2	Wheel for DGC 127
78	B		100 412 001	2	Wheel for DGC 152
79	B		100 333 076	2	Split pin $\varnothing 3.2 \times 25$ mm for DGC 127
80	B		100 333 009	2	Split pin $\varnothing 4 \times 36$ mm for DGC 152
81	B		100 315 028	4	Nut M6 for DGC 127
82	B		100 315 012	4	Nut M8 for DGC 152
83	B		171 401 324	2	Wheel axle for DGC 127

Fig.	Pack	Serial no.	Part no.	Pieces	Notes
84	B		171 405 311	2	Wheel axle for DGC 152
85	B		100 308 004	2	Set screw M10 x 20 mm
86	B		100 315 013	4	Nut M10
87	B		100 331 006	6	Flat washer M10
88	B		170 022 101	2	Stretching screw M10
90	B		100 333 076	2	Split pin $\varnothing 3.2 \times 25$ mm
91	B		100 315 013	2	Nut M10
92	B		100 332 020	2	Star washer M10
93	B		170 022 100	2	Stud bolt M10
94	B		100 306 031	2	Set screw M10 x 35 mm
95	B		100 315 013	2	Nut M10
96	B		100 331 006	4	Flat washer M10
97	B		100 308 004	2	Set screw M10 x 20
98	B		100 331 006	2	Flat washer M10
99	B		100 315 013	2	Nut M10
100	B		171 404 308	1	Base plate for DGC 127
101	B		171 405 309	1	Base plate for DGC 152
103	B		100 316 003	2	Lock nut M8
105	B		100 331 005	4	Flat washer M8
107	B		100 331 074	4	Dished washer M8
109	B		171 003 415	1	Shaft
111	B		100 309 009	2	Hex-socket cap screw M8 x 55 mm
113	B		100 405 000	1	Key 8 x 7 x 35 mm for DGC 127
115	B		171 003 126	1	565 mm flight for DGC 127
116	B		171 004 424	1	565 mm flight for DGC 152
121	C		100 309 004	3	Hex-socket cap screw M8 x 16 mm
123	C		100 332 019	3	Star washer M8
125	C		100 309 004	3	Nut M8
127	C		171 021 132	1	Oblong inlet for DGC 127
128	C		171 021 137	1	Oblong inlet for DGC 152
130	C		171 003 301	1	Bearing cap
132	C		100 401 063	1	Ball bearing # 6305
134	C		100 331 005	3	Flat washer M8 for DGC 127
135	C		100 308 037	3	Flat washer M10 for DGC 152
136	C		100 308 032	3	Set screw M8 x 35 mm for DGC 127
137	C		100 308 037	3	Set screw M10 x 40 mm for DGC 152
138	C		100 315 012	3	Nut M8 for DGC 127
139	C		100 315 013	3	Nut M10 for DGC 152
150	D		100 322 023	1	Stop screw M8
152	D		170 030 252	1	V-belt pulley SPZ 100 with 2 grooves, bore $\varnothing 28$ mm
163	E		171 003 311	1	1 m pipe for DGC 127, galvanized
164	E		171 003 312	1	2 m pipe for DGC 127, galvanized
165	E		171 003 313	1	3 m pipe for DGC 127, galvanized
166	E		171 004 311	1	1 m pipe for DGC 152, blue
167	E		171 004 312	1	2 m pipe for DGC 152, blue
168	E		171 004 313	1	3 m pipe for DGC 152, blue
172	E		171 003 011	1	1 m flight for DGC 127
173	E		171 003 158	1	2 m flight for DGC 127
174	E		171 003 160	1	3 m flight for DGC 127
175	E		171 004 421	1	1 m flight for DGC 152
176	E		171 004 422	1	2 m flight for DGC 152
177	E		171 004 423	1	3 m flight for DGC 152
179	E		100 309 007	1	Hex-socket cap screw M8 x 45 mm
181	E		100 331 005	2	Flat washer M8
183	E		100 316 003	1	Lock nut M8
191	F		171 003 210	1	Joining clamp for DGC 127
192	F		171 004 210	1	Joining clamp for DGC 152
194	F		100 315 012	6	Nut M8 for DGC 127
195	F		100 315 013	6	Nut M10 for DGC 152
196	F		100 331 005	12	Flat washer M8 for DGC 127
197	F		100 331 006	12	Flat washer M10 for DGC 152
198	F		100 308 034	6	Set screw M8 x 45 mm for DGC 127
199	F		100 308 037	6	Set screw M10 x 40 mm for DGC 152
201	G		100 309 007	1	Hex-socket cap screw M8 x 45 mm
203	G		100 331 005	2	Flat washer M8
205	G		100 316 003	1	Lock nut M8
207	G		171 003 418	1	Shaft
209	G		171 404 103	1	Discharge outlet for DGC 127
210	G		171 405 103	1	Discharge outlet for DGC 152
212	G		100 401 063	1	Ball bearing # 6305
214	G		171 003 301	1	Bearing cap
216	G		100 309 004	3	Hex-socket cap screw M8 x 16 mm
218	G		100 332 019	3	Star washer M8
220	G		100 315 012	3	Nut M8
221	G		100 315 012	3	Nut M8 for DGC 127



Pack	Kolli	DGC 127	DGC 152	Page
A	Inlet hopper	171 021 029		2
B	Bottom drive assembly	171 404 008	171 405 003	2/3
C	Oblong inlet	171 021 134	171 021 138	3
D	V-belt pulley, 3-5.5 HP	170 030 252	170 030 252	3
E	1m flight extension	171 003 011	171 004 011	3
E	2m flight extension	171 003 012	171 004 012	3
E	3m flight extension	171 003 013	171 004 013	3
F	Joining clamp	171 003 210	171 004 210	3
G	Discharge outlet	171 404 007	171 405 007	3/6
H	Adjustable trolley	171 021 017	171 021 018	6

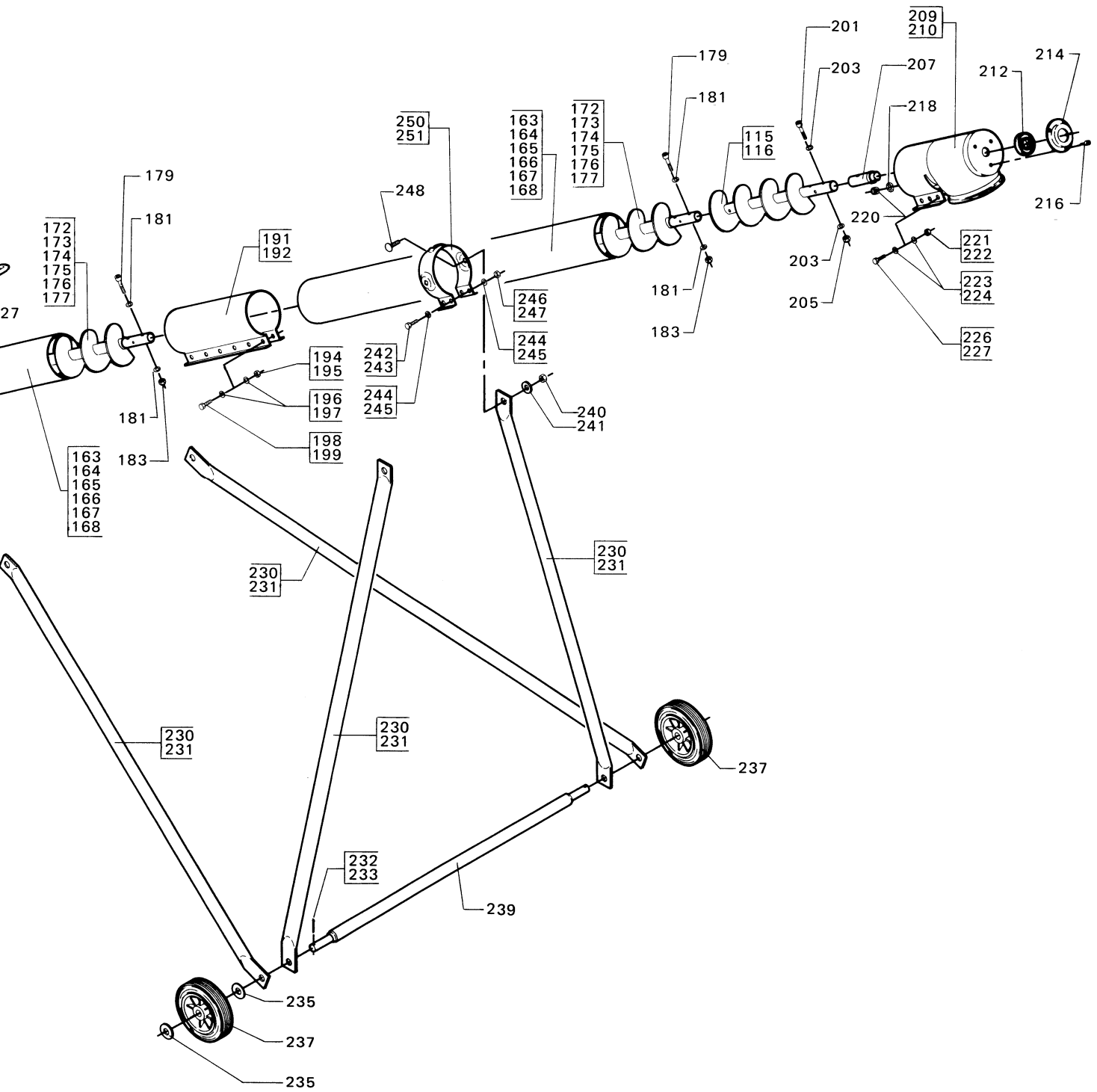


Fig.	Pack	Serial no.	Part no.	Pieces	Notes
222	G		100 315 013	4	Nut M10 for DGC 152
223	G		100 331 005	6	Flat washer M8 for DGC 127
224	G		100 331 006	8	Flat washer M10 for DGC 152
226	G		100 308 032	3	Set screw M8 x 35 mm for DGC 127
227	G		100 308 037	4	Set screw M10 x 40 mm for DGC 152
230	H		171 021 327	4	Leg for adjustable trolley for DGC 127
231	H		171 021 350	4	Leg for adjustable trolley for DGC 152
232	H		100 333 076	2	Split pin $\varnothing$ 3.2 x 25 mm for DGC 127
233	H		100 333 077	2	Split pin $\varnothing$ 3.2 x 36 mm for DGC 152
235	H		100 331 009	4	Flat washer M20
237	H		100 412 001	2	Wheel
239	H		171 021 126	1	Wheel axle
240	H		100 315 016	4	Nut M12
241	H		100 331 007	4	Flat washer M12
242	H		100 306 017	4	Set screw M8 x 30 mm for DGC 127
243	H		100 306 030	4	Set screw M10 x 30 mm for DGC 152
244	H		100 331 005	8	Flat washer M8 for DGC 127
245	H		100 331 006	8	Flat washer M10 for DGC 152
246	H		100 315 012	4	Nut M8 for DGC 127
247	H		100 315 013	4	Nut M10 for DGC 152
248	H		100 311 035	4	Coach bolt M12 x 35 mm
250	H		171 021 398	2	Clamp for adjustable trolley for DGC 127
251	H		171 021 399	2	Clamp for adjustable trolley for DGC 152



